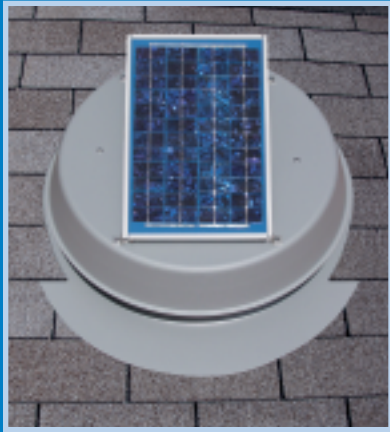


NATURAL LIGHT SOLAR ATTIC FAN

The Environmentally Sensible Solution that can SAVE you Money!



SOLAR GABLE FAN

10, 20, 30 or 50 watt units available



Attic venting is an important aspect in maintaining a healthy energy efficient home. Proper venting cools your roof extending the material life and reduces the load on your air conditioning system. Attic venting also increases fresh air circulation. Powered completely by free solar energy, this sleek and efficient vent is both compact and quiet. Fully operational right from the box, it installs easily, with no electrical wiring. And let's not forget powerful! A 10 watt unit can fully vent up to 1,200 sq. ft. (up to 850 cfms), a 20 watt unit up to 2,000 sq. ft. (up to 1,275 cfms) and a 30 watt unit up to 2,500 sq. ft. (up to 1,550 cfms). Our newest fan, with a 50 watt remote solar panel, has an unmatched venting capacity of up to 3,100 sq. ft. (up to 1,900 cfms)!



BEST INDUSTRY WARRANTY:
25 YEARS ON THE HOUSING,
SOLAR PANEL AND MOTOR

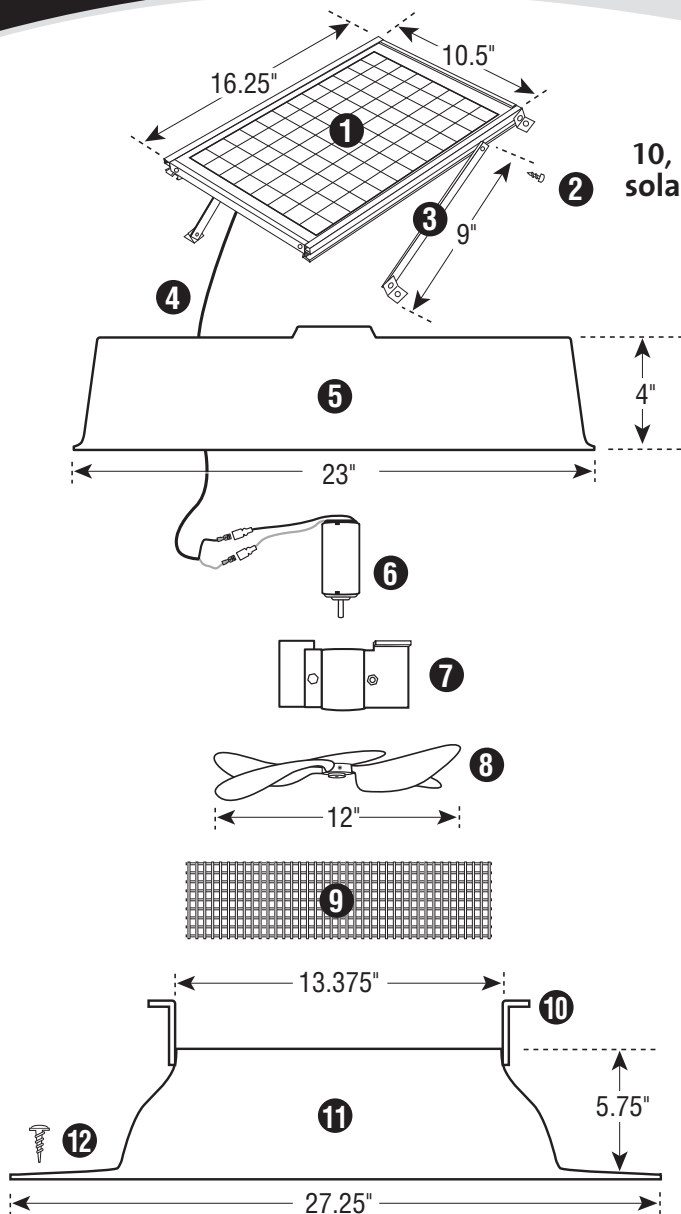


www.solaratticfan.com

Solar Attic Fan

Technical Specifications

SIZES :
 10, 20, 30 or 50 watt
 solar panels available



NOTE: Exploded view of Solar Attic Fan is for illustrative purposes only. Unit comes fully assembled.

1. Custom Solar Panel (10, 20, 30 or 50 watt available)*
2. (2) Adjustable Solar Panel Bracket
3. (2) #8 x .75" Self-Tapping Screws
4. 18 Gauge Tinned Copper Wire Lead
5. 1100 Series, Commercial Pure Grade Aluminum Shroud
6. Custom DC Motor
7. Motor Bracket Assembly
8. Air Driven Precision Pitch 5 Blade Fan
9. 3.25" x 48" Stainless Steel Wire Mesh
10. (4) Rugged 14 Gauge Shroud Support Bracket
11. 1100 Series, Commercial Pure Grade Aluminum Flashing
12. (6) #6 x 1.5" Stainless Steel Phillips Head Screws

*solar panel dimensions may vary slightly

OPTIONAL ACCESSORY: Thermal Snap Switch available to automatically turn off unit during colder months.

VENTING CAPACITY

- 10 watt - up to 1,200 sq. ft. (up to 850 cfms)
- 20 watt - up to 2,000 sq. ft. (up to 1,275 cfms)
- 30 watt - up to 2,500 sq. ft. (up to 1,550 cfms)
- 50 watt - up to 3,100 sq. ft. (up to 1,550 cfms)

SOLAR GABLE FAN

